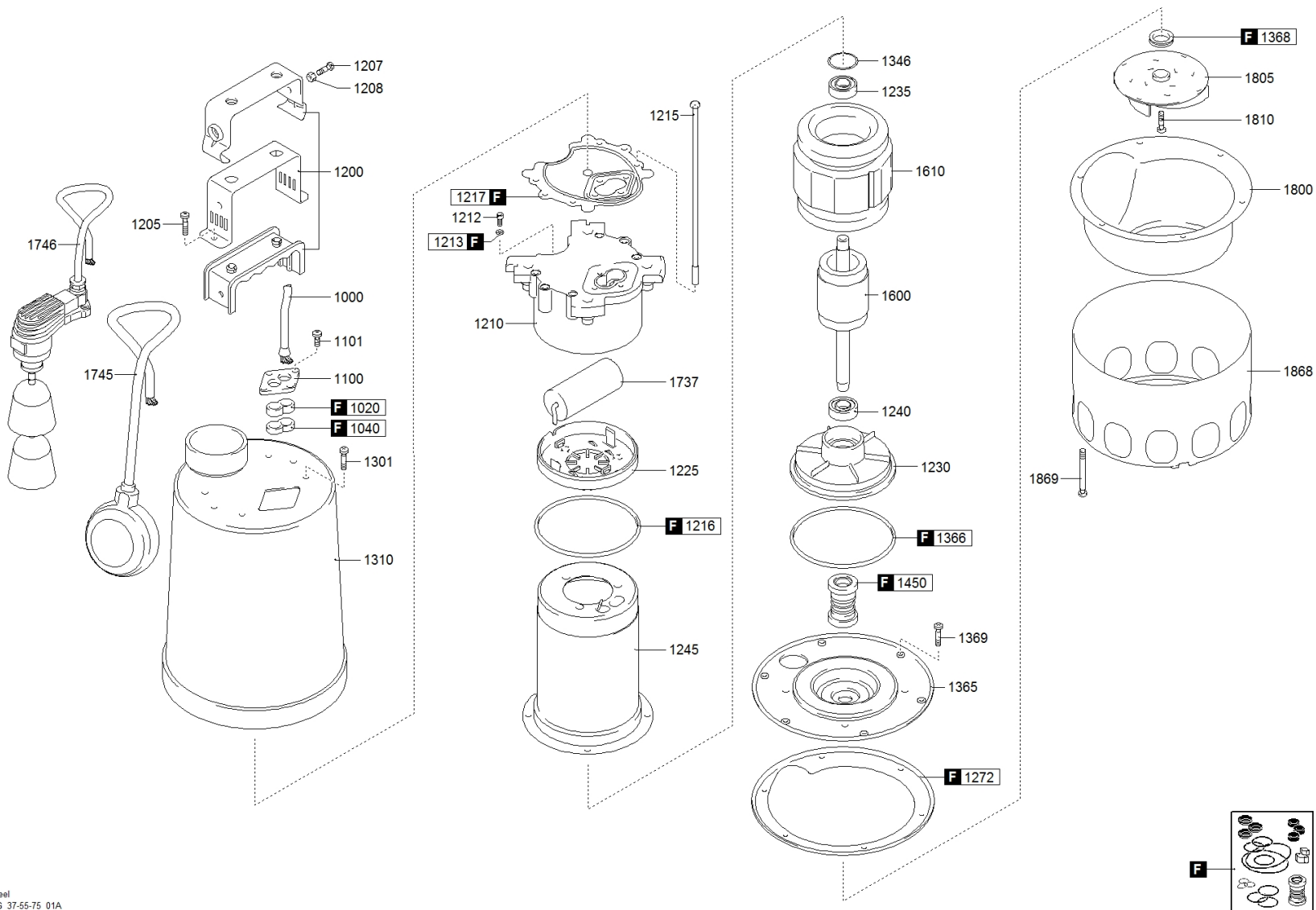




water solutions

ZENO
S P A R E P A R T S

5010.006 - DG-STEEL 75 M5 0 TG1U2300NN



Steel
DG 37-55-75 01A



water solutions



5010.006 - DG-STEEL 75 M5 0 TG1U2300NN

		Code		Description		Q.ty	Price (€)
F		608009002		MAINTENANCE KIT		1	
1000		250102304005100000		POWER CABLE		1	
1000		250102304010100000		POWER CABLE		1	
1000		250102304010700000		POWER CABLE		1	
1020		235467024241		CABLE GLAND [POWER CABLE]	805884	1	
1040		235678024236		RUBBER GASKET [POWER CABLE]	711017	1	
1040		235678024237		RUBBER GASKET [POWER CABLE]	711018	1	
1100		235439070012		CABLE GLAND PLATE		1	
1200		235230470016		HANDLE		1	
1200		235260470015		HANDLE		1	
1200		235260470017		HANDLE		1	
1200		235260470018		HANDLE		1	
1205		270839840149000000		SCREW [HANDLE >> COVER]		2	
1207		270830510100700000		SCREW [HANDLE]		2	
1208		270730519411000000		NUT [HANDLE]		2	
1210		232160272006		COVER		1	
1212		270839840149000000		SCREW [GROUND CABLE]		1	
1213		271770004020000000		WASHER [GROUND CABLE]		1	
1215		270830512281272018		SCREW [COVER >> MOTOR CASE]		4	
1216		271770085040000000		GASKET [COVER >> MOTOR CASE]		1	
1217		2750700072028		GASKET [COVER]		1	
1225		230660224209		UPPER BEARING HOLDER		1	
1230		230550271022		LOWER BEARING HOLDER		1	
1235		2729062010200000		UPPER BEARING	711365	1	
1240		2729062010200000		LOWER BEARING	711365	1	
1245		231030272014		MOTOR CASE		1	
1272		2750700072029		GASKET [LOWER BEARING HOLDER >> PUMP BODY]		1	
1301		270839840149000000		SCREW - STOP RING [COOLING JACKET]		4	
1310		238130272008		EXTERNAL COOLING JACKET		1	
1346		27542031000000		WAVE SPRING		1	
1365		238632121272015		MECHANICAL SEAL FLANGE		1	
1366		271770088035000000		GASKET [LOWER BEARING HOLDER >> MECHANICAL SEAL FLANGE]		1	
1368		237970140200600000		V-RING [MECHANICAL SEAL FLANGE]		1	
1369		270730519401000000		SCREW [MECHANICAL SEAL FLANGE >> PUMP BODY]		4	
1450		230005060120000000		MECHANICAL SEAL		1	
1600		230230211672016		SHAFT WITH ROTOR		1	
1610		231101161008000000		WOUND STATOR		1	
1737		25170200000000		CAPACITOR	711021	1	

1745	254500405300000	FLOAT SWITCH		1
1746	254505004000000	FLOAT SWITCH		1
1800	21253421200070201	PUMP BODY		1
1805	21413400790570202	IMPELLER		1
1810	270830510160700000	LOCKING IMPELLER	800323 OR 803481	1
1868	216534670205	CLOSED STRAINER		1
1869	270830511210700000	SCREW [CLOSED STRAINER >> PUMP BODY]		3